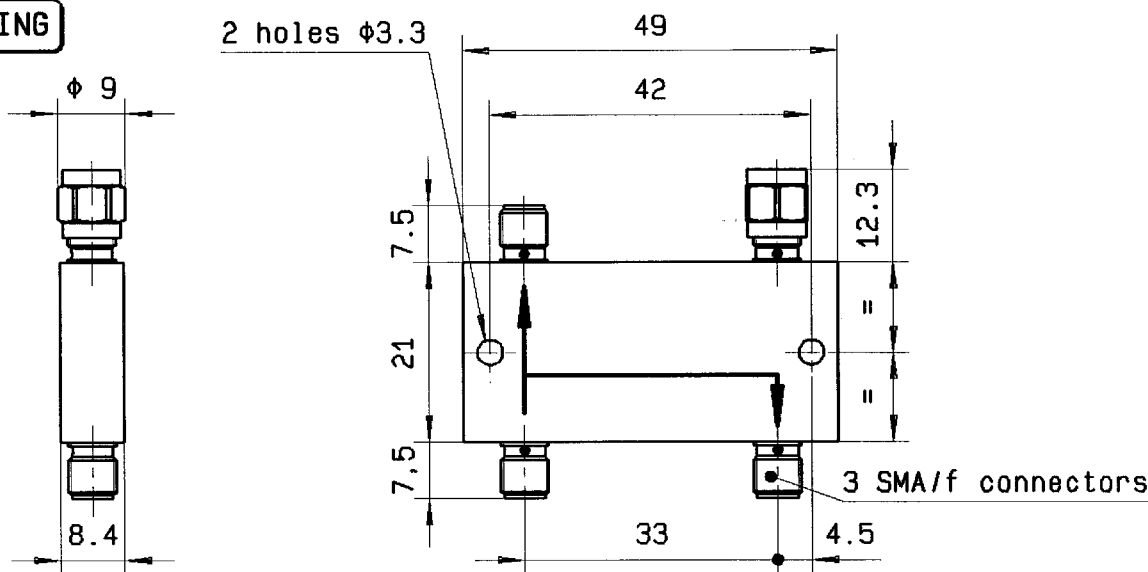


100 W 1 - 2 GHz 20dB DIRECTIONAL COUPLER

Issue Page
03.feb.94 1 / 1

DRAWING



R F CHARACTERISTICS

General tolerances: +/- 0.5 mm

| | | |
|-----------------------------|----------------|----------------|
| FREQUENCY RANGE | : | 1 - 2 GHz |
| IMPEDANCE | : | 50 Ohms |
| COUPLING | : | 20 dB ± 0.3 dB |
| FREQUENCY SENSITIVITY | : | ± 0.8 dB |
| DIRECTIVITY | : | >= 23 dB |
| INSERTION LOSS | : | <= 0.4 dB |
| V.S.W.R | - Main line | <= 1.15 |
| | - Coupled line | <= 1.15 |
| AVERAGE POWER at 25°C | : | 100 W |
| PEAK POWER at 25°C (1µs,1%) | : | 3 kW |

MECHANICAL CHARACTERISTICS

| | | |
|---------------------|---|----------------------------|
| CONNECTORS | : | SMA female per MIL-C 39012 |
| COAXIAL TERMINATION | : | 50 Ohms, 1 W |
| WEIGHT | : | < 65 g |

ENVIRONMENTAL CHARACTERISTICS

| | | | |
|-----------------------------|------|---|-----------|
| OPERATING TEMPERATURE RANGE | (°C) | : | -25 , +70 |
| STORAGE TEMPERATURE RANGE | (°C) | : | -25 , +70 |

QUALITY
Dpt app

R4
B

CREATION
PEN : CAT
EP : -----
Nom : VE
Date: 03.feb.94

ISSUE

REVISIONS

NAME

RADIALL®

101. Philibert Hoffmann Phone: 33.1.49353535
- Z.I Ouest - Fax : 33.1.48546363
93116 ROSNY/BOIS Cedex-FRANCE Tlx RADIA 235220F